

AL105N Alarm Sounder & Beacon

The AL105N is a high output, 112dB(A) alarm sounder combined with a 5 Joule Xenon beacon. The robust, fire retardant IP56 housing ensures the AL105N is suitable for all general signalling applications including fire, security and process control.

Features:

- Automatic synchronisation on multi-sounder system.
- Continuously rated.
- Stainless steel fixings.
- Unit can be mounted using external lugs or internal BESA compatible fixing positions.
- Duplicate cable terminations (in & out for daisy-chain installations).
- Tropicalisation available on request.
- Available with custom tone configurations and frequencies.
- 'Programmable' version available:
 - 45 alarm tones
 - 4 remotely selectable stages
 - Any tone can be assigned to any stage
 - User configurable continuous frequency tone

Approvals:

- Alarm sounder (A105N) VdS approved to EN54-3 (CPD 89/106/EEC).
- UKOOA/PFEER compliant alarm tones.
- UL approved version available.
- GOST-R approved. Cert: POCC GB-JB05-B02228

Part codes:

Version:	Part code:
24V dc	AL105NDC24[x]/[y]
48V dc	AL105NDC48[x]/[y]
24V ac	AL105NAC24[x]/[y]
115V ac	AL105NAC115[x]/[y]
230V ac	AL105NAC230[x]/[y]
[x] = Housing colour:	G: Grey, R: Red, W: White
[y] = Lens colour:	A: Amber, B: Blue, C: Clear, G: Green, O: Opal, R: Red, Y: Yellow

Suffix part number with 'P' for programmable, 4 stage, 45 tone version.

Suffix part number with '-UL' for UL approved version.

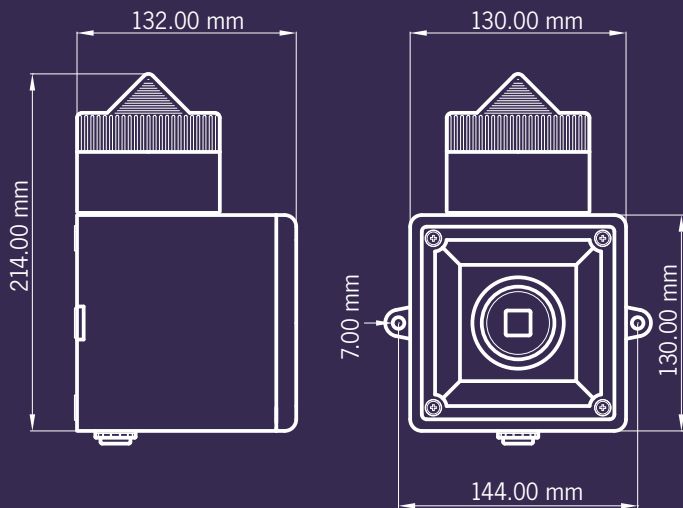


0786-CPD-20257



G205121



**Alarm sander:**

Version:	Voltage range:	Current mA:
24V dc	10-30V dc	25mA*
48V dc	35-60V dc	50mA*
24V ac 50/60Hz	+/-10%	40mA
115V ac 50/60Hz	+/-10%	20mA
230V ac 50/60Hz	+/-10%	15mA

* current at nominal voltage on Tone 2

Xenon beacon:

Version:	Voltage range:	Current mA:
12V dc	10-14V dc	500mA
24V dc	20-28V dc	250mA
48V dc	42-54V dc	175mA
24V ac 50/60Hz	+/-10%	300mA
115V ac 50/60Hz	+/-10%	70mA
230V ac 50/60Hz	+/-10%	35mA

Specification:

Sounder:	
Maximum output:	112dB(A) @ 1 metre
Nominal output:	105dB(A) @ 1m +/- 3dB - Tone 2
No. of tones:	32 (UKOOA / PFEER compliant)
No. of stages:	3
Volume control:	Max. 105dB(A); Min. 96dB(A) - Tone 2
Effective range:	60m @ 1KHz
Stage switching:	Negative Reverse polarity stage switching on DC units.

Beacon:

Energy:	5 Joules (5Ws)
Flash rate:	1Hz (60 fpm)
Peak Candela:	86,953 cd
Effective Intensity cd:	200 cd*
Lens colours:	Amber, Blue, Clear, Green, Opal, Red & Yellow
Tube life:	Emissions are reduced to 70% after 8 million flashes

General:

Voltages DC:	24V dc (10-30V dc); 48V dc (35-60V dc) [DC units can use 24V ac for single stage applications.]
Voltages AC:	24V ac; 115V ac; 230V ac
Ingress protection:	IP56
Housing material:	High impact UL94 V0 & 5VA FR ABS
Colour:	Red (RAL3000), grey (RAL7038) & white.
Cable entries:	2 x M20 clearance gland entries in side & back
Terminals:	0.5 to 1.5mm ² cables.
Operating temperature:	-25 to +55°C
Storage temperature:	-40 to +70°C
Relative humidity:	90% at 20°C.
Weight :	DC: 0.95kg AC:1.20kg

*Candela measurements representative of performance with clear lens at optimum voltage.

*SPL data +/-3dB(A). Measured at optimum voltage.

Tone table:

Stage 1	Frequency Description	dB @ 1m	Stage 2	Stage 3
Tone 1	340 Hz Continuous	102dB(A) @ 1m	Tone 2	Tone 5
Tone 2	800/1000Hz @ 0.25 sec Alternating - BS5839 Alarm tone	106dB(A) @ 1m	Tone 17	Tone 5
Tone 3	500/1200Hz @ 0.3Hz 0.5 sec Slow Whoop - NEN 2575:2000	106dB(A) @ 1m	Tone 2	Tone 5
Tone 4	800/1000Hz @ 1Hz Sweeping	106dB(A) @ 1m	Tone 6	Tone 5
Tone 5	2400Hz Continuous	112dB(A) @ 1m	Tone 3	Tone 20
Tone 6	2400/2900Hz @ 7Hz Sweeping	108dB(A) @ 1m	Tone 7	Tone 5
Tone 7	2400/2900Hz @ 1Hz Sweeping	108dB(A) @ 1m	Tone 10	Tone 5
Tone 8	500/1200/500Hz @ 0.3Hz Sweeping	106dB(A) @ 1m	Tone 2	Tone 5
Tone 9	1200/500Hz @ 1Hz - DIN / PFEER P.T.A.P.	106dB(A) @ 1m	Tone 15	Tone 2
Tone 10	2400/2900Hz @ 2Hz Alternating	110dB(A) @ 1m	Tone 7	Tone 5
Tone 11	1000Hz @ 1Hz Intermittent	106dB(A) @ 1m	Tone 2	Tone 5
Tone 12	800/1000Hz @ 0.875Hz Alternating	106dB(A) @ 1m	Tone 4	Tone 5
Tone 13	2400Hz @ 1Hz Intermittent	112dB(A) @ 1m	Tone 15	Tone 5
Tone 14	800Hz 0.25sec on, 1 sec off Intermittent	108dB(A) @ 1m	Tone 4	Tone 5
Tone 15	800Hz Continuous	108dB(A) @ 1m	Tone 2	Tone 5
Tone 16	660Hz 150mS on, 150mS off Intermittent	104dB(A) @ 1m	Tone 18	Tone 5
Tone 17	544Hz (100mS)/440Hz (400mS) - AFNOR NF S 32-001	104dB(A) @ 1m	Tone 2	Tone 27
Tone 18	660Hz 1.8sec on, 1.8sec off Intermittent	104dB(A) @ 1m	Tone 2	Tone 5
Tone 19	1.4KHz-1.6KHz 1s, 1.6KHz-1.4KHz 0.5s - AFNOR NFC48-265	106dB(A) @ 1m	Tone 2	Tone 5
Tone 20	660Hz Continuous	104dB(A) @ 1m	Tone 2	Tone 5
Tone 21	554Hz/440Hz @ 1Hz Alternating	104dB(A) @ 1m	Tone 2	Tone 5
Tone 22	544Hz @ 0.875 sec. Intermittent	104dB(A) @ 1m	Tone 2	Tone 5
Tone 23	800Hz @ 2Hz Intermittent	108dB(A) @ 1m	Tone 6	Tone 5
Tone 24	800/1000Hz @ 50Hz Sweeping	108dB(A) @ 1m	Tone 29	Tone 5
Tone 25	2400/2900Hz @ 50Hz Sweeping	108dB(A) @ 1m	Tone 29	Tone 5
Tone 26	Bell	100dB(A) @ 1m	Tone 2	Tone 15
Tone 27	554Hz Continuous	104dB(A) @ 1m	Tone 26	Tone 5
Tone 28	440Hz Continuous	103dB(A) @ 1m	Tone 2	Tone 5
Tone 29	800/1000Hz @ 7Hz Sweeping	105dB(A) @ 1m	Tone 7	Tone 5
Tone 30	300Hz Continuous	100dB(A) @ 1m	Tone 2	Tone 5
Tone 31	660/1200Hz @ 1Hz Sweeping	105dB(A) @ 1m	Tone 26	Tone 5
Tone 32	Two tone chime.	103dB(A) @ 1m	Tone 26	Tone 15

Country specific or custom tone configurations and alarm frequencies are available upon request.



Available as the A105N alarm horn sounder only - see the AlertAlarm range for further details.



Available as the AB105 unit with Xenon, multi-function LED or rotating halogen beacon - see the SpectrAlarm range for further details.