

HCMA112-05 Electronic Siren, Buzzer, Hooter & Bell

Applications and users that have traditionally demanded conventional electromechanical hooters, sirens, buzzers and bells can now choose the next generation alternative.

The E2S Hootronic series of products faithfully reproduce the sounds made by legacy electro-mechanical signalling devices but in a modern, reliable and cost effective way.

With output levels of up to 122dB(A) at 1 metre the HCMA112-05 surpasses legacy electro-mechanical devices in performance and effectiveness, it is also continuously rated, requires zero maintenance and the signal quality will not degrade with age.

Features:

The products in the Hootronic range have 5 user selectable 'traditional' sounds including:

- Tone 1 : Industrial Hooter
- Tone 2 : High Frequency Mechanical Siren
- Tone 3 : Medium Frequency Mechanical Siren
- Tone 4 : Electro Mechanical Buzzer
- Tone 5 : Mechanical Bell

Each of these sounds have two additional, remotely selectable, alarm stages.

Remote switch generates genuine 'tail off' to sound when alarm is terminated.

- Automatic synchronisation on multi-sounder system.
- Continuously rated.
- Large termination area.
- Stainless steel fixings.
- Ratchet adjustable stainless steel 'U' bracket for 360° positioning.
- Duplicate cable terminations (in & out for daisy-chain installations).
- Tropicalisation available on request.

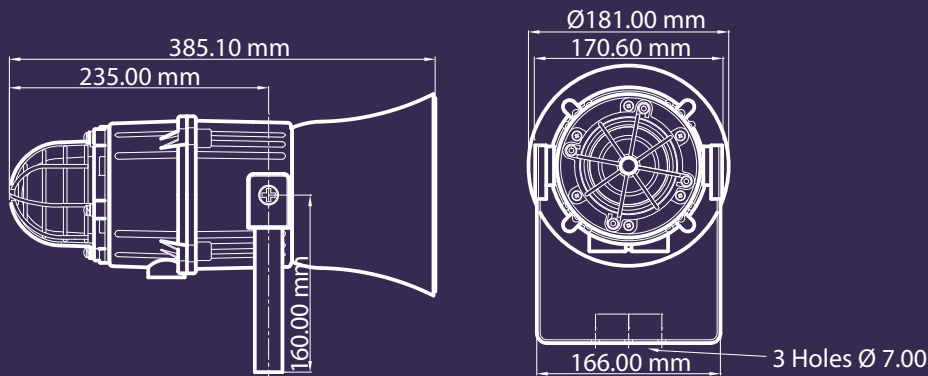
Part codes:

Version	Part code:
12V dc	HMCA11205DC12G-xx
24V dc	HMCA11205DC24G-xx
115V ac	HMCA11205AC115G-xx
230V ac	HMCA11205AC230G-xx
[xx] = Lens colour:	AM: Amber, BL: Blue, CL: Clear, GN: Green, RD: Red, YW: Yellow



HMA121 - Hootronic Siren,
Buzzer, Hooter & Bell





Specification:

Hootronic Sounder:

Nominal output:	122dB(A) @ 1m +/- 3dB
No. of tones:	5
No. of stages:	3
Volume control:	Max. 122dB(A); Min. 113dB(A) approx.

Beacon:

Energy:	5 Joules (5Ws)
Flash rate:	1Hz (60 fpm)
Peak Candela:	16,428 cd
Effective Intensity cd:	51 cd*
Lens colours:	Amber, Blue, Clear, Green, Red & Yellow
Tube life:	Emissions are reduced to 70% after 8 million flashes

General:

Voltages DC:	12V dc; 24V dc
Voltages AC:	115V ac; 230V ac
Ingress protection:	IP66 & IP67 (Third party tested)
Housing material:	High impact UL94 V0 & 5VA FR ABS
Colour:	Grey (RAL7038)
Cable entries:	2 x M20 supplied with 1 blanking plug
Lens material:	Borosilicate glass dome with PC prismatic lens cover.
Guard:	Stainless Steel dome guard as standard
Terminals:	0.5 to 4.0mm ² cables.
Operating temperature:	-25 to +55°C
Storage temperature:	-40 to +70°C
Relative humidity:	90% at 20°C.
Weight :	DC: 3.00kg AC:3.50kg

*Candela measurements representative of performance with clear lens at optimum voltage.

*SPL data +/-3dB(A). Measured at optimum voltage.

Alarm sounder:

Version:	Voltage range:	Current mA:
24V dc	10-30V dc	375mA*
115V ac 50/60Hz	+/-10%	160mA
230V ac 50/60Hz	+/-10%	75mA

* current at nominal voltage

Xenon beacon:

Version:	Wattage:	Current mA:
12V dc	10-14V dc	550mA
24V dc	20-28V dc	300mA
115V ac 50/60Hz	+/-10%	140mA
230V ac 50/60Hz	+/-10%	55mA

Stage 1	Frequency Description	dB @ 1m	Stage 2	Stage 3
Tone 1	Industrial Hooter	112dB(A) @ 1m	Tone 3	Tone 5
Tone 2	High Frequency Mechanical Siren	118dB(A) @ 1m	Tone 1	Tone 5
Tone 3	Medium Frequency Mechanical Siren	122dB(A) @ 1m	Tone 1	Tone 5
Tone 4	Electro Mechanical Buzzer	118dB(A) @ 1m	Tone 2	Tone 5
Tone 5	Mechanical Bell	114dB(A) @ 1m	Tone 1	Tone 2