

# BExCP3A/B-PT Tool Reset Call Point

The BExCP3A-PT and BExCP3B-PT push button, tool resettable manual call points are approved for Zone 1, 2, 21 and 22 hazardous areas for the control of fire and gas alarm systems. Available with and without monitoring resistors all versions are certified to ATEX and IECEx standards.

The push button mechanism is protected by a spring loaded cover therefore the switch requires a two-action activation. The push button is user resettable via the use of the special key supplied with the unit. The BEx range features enclosures manufactured from corrosion proof, marine grade, copper free LM6 (A413) aluminium which is phosphated and powder coated.

## Specification:

BExCP3A-PT:	II 2G Ex e d IIC T6 Gb II 2D Ex t IIIC T60°C Db IP66
BExCP3B-PT:	II 2G Ex e d mb IIC T4 Gb II 2D Ex t IIIC T70°C Db IP66
Ambient:	Ta = -40°C to +55°C (+50°C for BExCP3B)
Ingress protection:	IP66
Housing material:	Marine grade copper free LM6 Aluminium
Housing finish:	Phosphated & powder coated finish: anti-corrosion.
Colour:	RAL3000 Red (others available on request)
Cable entries:	2 x M20 clearance top and 1 x M20 clearance side. Back box can be rotated to give 2 x bottom and 1 x side entries.
Stopping plugs:	2 x Ex e nylon plugs as standard Brass and stainless steel plugs optional
Terminals:	6 x 4.0mm <sup>2</sup> cables.

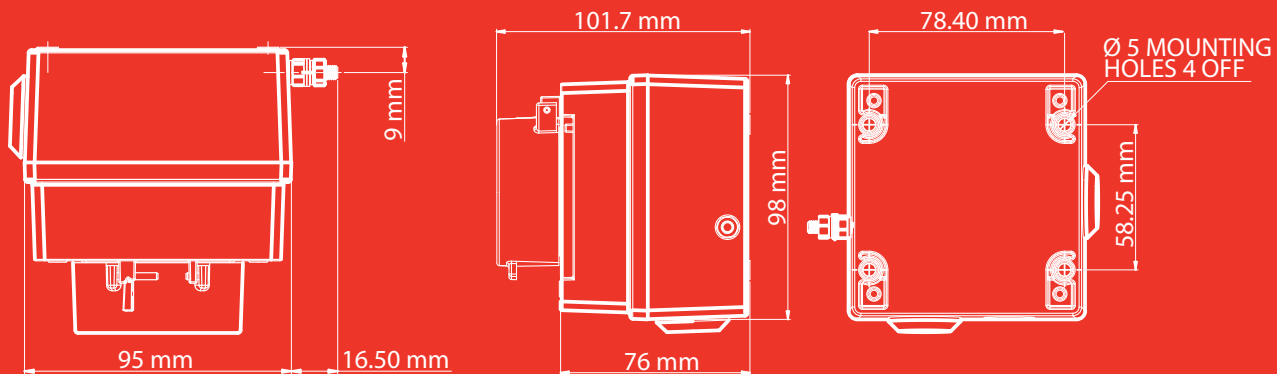
## Options:

- Alternative housing colours are available to meet specific requirements.
- DIN rail mounted terminal blocks: 8 x 2.5mm<sup>2</sup>
- Metalised Polyester "Duty" label.
- Series and/or End of Line resistors.

## Approvals:

- ATEX certificate: Sira 09ATEX3286X, IEC 60079-0:2007 Ed 5, EN 60079-1:2004, EN 60079-7:2007, IEC 60079-18:2009 Ed 3, EN 61241-1:2004
- IECEx certificate: IECEx SIR 09.0121X, IEC 60079-0:2007-10 Edition: 5, IEC 60079-1:2003 Edition: 5, IEC 60079-18:2009 Edition: 3, IEC 60079-7:2006-07 Edition: 4, IEC 61241-1:2004 Edition: 1
- Inmetro certificate: 10-IEEx-0011X





### Versions:

Version:	Category:	Voltage:	Switch rating:	Monitoring Resistors:	Terminals:	Cable entries:	Weight:
BExCP3A-PT	II 2G Ex e d IIC T6 Gb	250V ac Max.	5.0A Max.	N	6 x 4mm <sup>2</sup>	2 x M20	0.8Kg
	II 2D Ex t IIIC T60°C Db	50V dc Max.	1.0A Max.			Top/Bottom	
	IP66					1 x M20	
	Ta = -40°C to +55°C					Left/Right	
			Nominal Voltage:	Maximum Voltage:	Min. EOL / Series Value:		
BExCP3B-PT	II 2G Ex e d mb IIC T4 Gb	56V dc Max.	48V	56V	1K8	Y	0.8Kg
	II 2D Ex t IIIC T70°C Db	Rating:	24V	28V	470R		
	IP66	<50V: 1.0A	12V	15V	120R		
	Ta = -40°C to +50°C	>50V: 0.75A	6V	9V	47R		

### Part Codes:

Type:	Terminals:	Duty Label:	Colour:	Nominal Voltage	E.O.L Resistor:	Series Resistor:
BExCP3A-PT	ST	NL	RD	48V	ExxxR	SxxxR
BExCP3B-PT	DR	DL		24V		
				12V		
				6V		

ST: Standard  
DR: DIN rail  
'DR' option  
only on BExCP3B  
version

NL: No label (std)  
DL: Duty Label  
Specify content

RD: Red (std)  
Contact sales  
for other  
when ordering.

System Voltage  
only required  
on BExCP3B  
colour options

xxx: Res. value  
e.g.: E470R  
Only available on  
BExCP3B version

xxx: Res. value  
e.g.: S2K2R  
Only available on  
BExCP3B version

e.g. BExCP3A-PT-ST-NL-RD

: BEx-CP3A Break glass call point with standard terminals and no duty label. Red housing

e.g. BExCP3B-PT-DR-NL-RD-24V-E470R

: BEx-CP3B Break glass call point with DIN rail terminals, no duty label, 24V supply voltage with a 470 Ohm end of line resistor. Red housing.