

B350TSB Filament Lamp Traffic Light

The B350 series of traffic light beacons are available in single E14 filament bulb or high output L.E.D array versions. The compact housing is ideal for space constrained applications or for mounting directly onto machinery.

Part codes:

Version:	Part code:
12-250V	B350TSB250B/[x]
[x] = Lens colour:	A: Amber
	B: Blue
	C: Clear
	G: Green
	R: Red
	Y: Yellow

Note: Filament lamps not included. Must be ordered separately

Mounting brackets:

MB-B350T-S	Mounting bracket kit for a single B350 type unit.
MB-B350T-M	Mounting bracket kit for linked multiple B350 type units.

Note: Multiple unit connector is supplied with each product.

Filament lamp part codes:

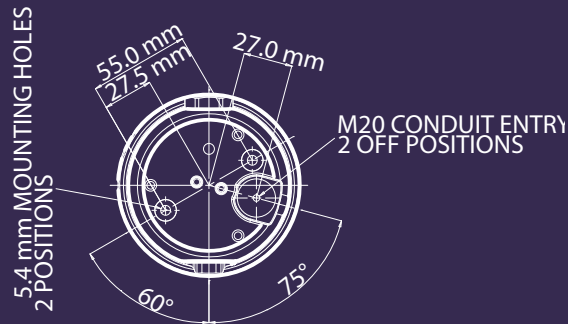
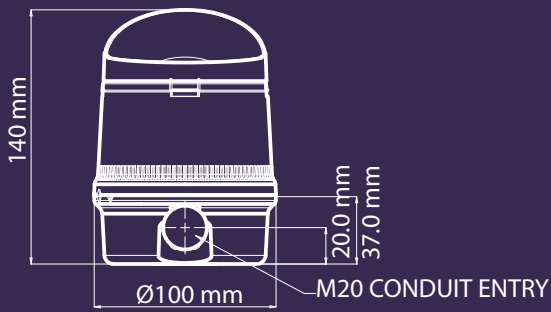
Version:	Wattage:	Type:	Part code:
12V dc	25W	E14	BB261225E
24V dc	25W	E14	BB263025E
48V dc	25W	E14	BB264825E
115V ac	25W	E14	BB2613025E
230V ac	25W	E14	BB2623525E

Note: Filament lamps to be ordered separately.

Features:

- Bayonet fixing lens.
- Anti-tamper locking screw.
- Stainless steel fixings.





Specification:

Light source:	Filament Lamp E14
Light output:	25W
Function:	Permanent
L.E.D. colours:	Amber, Blue, Clear, Green, Red & Yellow
Peak/Effective Intensity cd:	21 cd*
Lens type:	Prismatic
Mounting:	Surface mount (Wall mount bracket available)
Entries:	1 x 5-7mm push through grommet 1 x M20 cable entry
Dimensions:	ø100 x 140mm
Ingress protection:	IP65
Housing material:	High impact UL94 V0 (f1) PC
Terminals:	0.5 to 1.5mm ²
Operating temperature:	-25 to +50°C
Storage temperature:	-40 to +70°C
Relative humidity:	90% at 20°C.
Weight :	350g



*Candela measurements representative of performance with clear lens at optimum voltage.