

BExL15 / BExDL15 PA Loudspeakers

The flameproof BExL15 PA loudspeakers are suitable for Zone 1 & Zone 2 applications and the BExDL15 sounders also for Zone 21 & 22.

The BEx range features enclosures manufactured from corrosion proof, marine grade copper free LM6 aluminium which is phosphated and powder coated.

The re-entrant flare horns are high impact, fire retardant ABS. All models have two M20 cable entries, large termination areas containing in & out terminals (Ex de version only) and an ingress protection of IP66/67 (Ex d) and IP66 (Ex de).

An independent test report is available on request, or online, detailing the performance of the BEx loudspeaker range.

Part codes:

| Part Code: | Classification: |
|------------|---|
| BExL15D** | ATEX / IECEx: II 2G Ex d IIB T4 Ta. -50° to +70°C II 2G Ex d IIC T4 Ta. -50° to +55°C GOST-R: 1ExdIICT4 Ta. -50° to +55°C |
| BExL15E** | ATEX / IECEx: II 2G Ex de IIB T4 Ta. -50° to +70°C II 2G Ex de IIC T4 Ta. -50° to +55°C GOST-R: 2ExdellCT4 Ta. -50° to +55°C |
| BExDL15D** | ATEX / IECEx: II 2G Ex d IIB T4 Ta. -50° to +70°C II 2G Ex d IIC T4 Ta. -50° to +55°C II 2D Ex tD A21 IP67 T115 based on a max. Ta. of 70°C GOST-R: 1ExdIICT4 Ta. -50° to +55°C T100°C DIP A21 Ta T4 |
| BExDL15E** | ATEX / IECEx: II 2G Ex de IIB T4 Ta. -50° to +70°C II 2G Ex de IIC T4 Ta. -50° to +55°C II 2D Ex tD A21 IP66 T115 based on a max. Ta. of 70°C GOST-R: 2ExdellCT4 Ta. -50° to +55°C DIP A21 Ta T4 |

**** = type reference:

| | | |
|----------|------|-----------------------|
| Options: | 70V | 70V Line transformer |
| | 100V | 100V Line transformer |
| | 8R | 8 Ohm low impedance |
| | 16R | 16 Ohm low impedance |

e.g: BExL15D100V

Features:

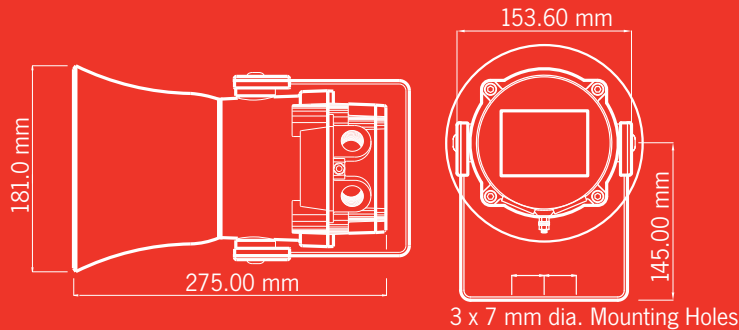
- Very large termination area.
- Ratchet adjustable stainless steel 'U' bracket.
- IN & OUT terminals (Ex de version only).

Approvals:

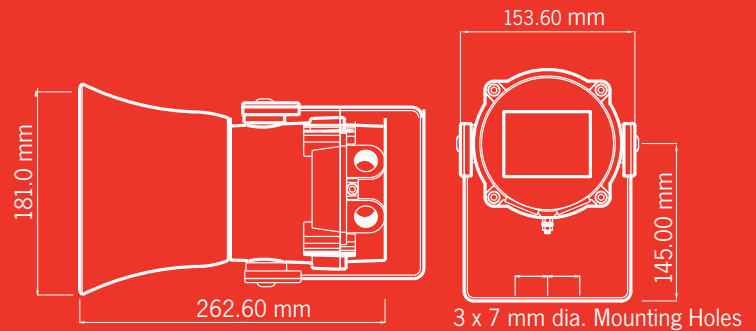
- ATEX certificate: KEMA 00ATEX6312, EN 60079-0 : 2006, EN 60079-1 : 2007, EN 60079-7 : 2003, EN 61241-0 : 2006, EN 61241-1 : 2004
- IECEx certificate: IECEx KEM 10.0003, IEC 60079-0 : 2004 (Ed4), IEC 60079-1 : 2007 (Ed6), IEC 60079-7 : 2001 (Ed3), IEC 61241-0 : 2004 (Ed1), IEC 61241-1 : 2004 (Ed1)
- GOST-R certificate: POCC GB.JB05.B02205
- Safety-integrity suitability: SIL1
- Inmetro certificate: 10-IEEx-0009



BExL15D & BExDL15D version



BExL15E & BExDL15E version

**Specification:**

| | |
|---------------------|---|
| SPL: | 102dB +/-3dB @ 1w @ 1m - Pink noise 113dB +/-3dB @ 15w (rated power) @ 1m |
| Rated power: | 15 Watts RMS |
| 70v line tapings: | 15w / 7.5w / 3w / 1w (z=336.67 Ohms / 653.33 Ohms / 1.6k Ohms / 4.9k Ohms) |
| 100v line tapings: | 15w / 7.5w / 3w / 1w (z=666.87 Ohms / 1.34k Ohms / 3.34k Ohms / 10k Ohms) |
| Low impedance: | 8 Ohm or 16 Ohm |
| Dispersion: | 120° @ 1kHz & 32° @ 4kHz |
| Frequency range: | 400Hz to 8000 Hz |
| DC Line monitoring: | 2.2µF Capacitor (Transformer version) 470µF Capacitor (Low impedance version) |
| Ingress protection: | L15D : IP66/67 L15E : IP66 |
| Housing material: | Marine grade copper free LM6 Aluminium |
| Housing finish: | Phosphated & powder coated finish - anti-corrosion. |
| Colour: | RAL3000 Red (others available on request) |
| BExL15 flare: | High impact UL94 V0 & 5VA FR ABS (Red) |
| BExDL15 flare: | Anti-Static High impact ABS (Black) |
| Cable entries: | Dual M20 ISO (one stopping plug included) |
| Terminals: | 0.5 to 4.0mm ² cables. |
| Line monitoring : | Min. 500 Ohm 2w, or 3k3 Ohm 0.5w res. or diode within Exd enclosure (dc versions). |
| Weight : | 70/100V line: 3.45kg Low imp.: 3.10kg |

