

MBL1 Multi-function L.E.D. Beacon

The MBL1 is a multi-function L.E.D. beacon featuring a robust, fire retardant, IP66 & IP67 housing; suitable for harsh environments.

The array of 32 high output L.E.D.'s have a total of 9 operating modes; 4 rotating sequences, 4 flashing patterns and a steady mode for indicator or status applications.

Part codes:

Version:	Part code:
24V dc	MBL1DC24G-[xx]
48V dc	MBL1DC24G-[xx]
24V ac	MBL1AC24G-[xx]
115V ac	MBL1AC115G-[xx]
230V ac	MBL1AC230G-[xx]
[xx] = L.E.D. / Lens colour:	AM: Amber, BL: Blue, GN: Green, RD: Red, YW: Yellow

Current consumption:

Version:	Voltage range:	Current mA:
24V dc	10-50V dc	400mA
48V dc	10-50V dc	230mA
24V ac 50/60Hz	+/-10%	380mA
115V ac 50/60Hz	+/-10%	140mA
230V ac 50/60Hz	+/-10%	70mA

Features:

- Continuously rated.
- Large termination area.
- Stainless steel fixings.
- Ratchet adjustable stainless steel 'U' bracket for 360° positioning.
- Duplicate cable terminations (in & out for daisy-chain installations).
- Tropicalisation available on request.

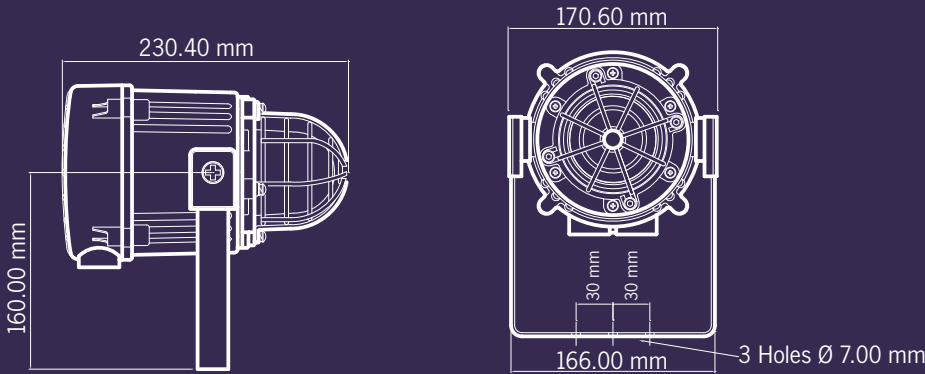
Approvals:

- GOST-R approved. Cert: POCC GB-JB05-B02228



Also available as the MCA112-05 combined alarm sounder and Xenon beacon and the MCL15-05 15W PA Loudspeaker with Xenon beacon.





Specification:

Light source:	Array of 32 high output L.E.D.s
Peak/ Effective Candela:	11 cd*
Lens colours:	Amber, Blue, Green, Red & Yellow
Voltages DC:	10-50V dc
Voltages AC:	24V ac; 115V ac; 230V ac
Ingress protection:	IP66 & IP67 (Third party tested)
Housing material:	High impact UL94 V0 & 5VA FR ABS
Colour:	Grey (RAL7038)
Cable entries:	2 x M20 supplied with 1 blanking plug
Lens material:	Borosilicate glass dome with PC prismatic lens cover.
Guard:	Stainless Steel dome guard as standard
Terminals:	0.5 to 4.0mm ² cables.
Operating temperature:	-25 to +55°C
Storage temperature:	-40 to +70°C
Relative humidity:	90% at 20°C.
Weight :	1.48kg

*Candela measurements representative of performance with red lens at optimum voltage.

Multi-function patterns:

Mode:	Stage 1: [Selectable on board]	Stage 2: [Remotely selectable]	Stage 3: [Remotely selectable]
1	All L.E.D's on	Alternate Side Flash 2Hz	Double Strike Flash 1Hz
2	Rotating: Slow1	Alternate Side Flash 2Hz	All L.E.D's on
3	Single Strike Flash 2Hz	Rotating: Fast 2	All L.E.D's on
4	Rotating: Fast 1	Single Strike Flash 2Hz	All L.E.D's on
5	Rotating: Slow 2	Double Strike Flash 1Hz	All L.E.D's on
6	Double Strike Flash 1Hz	Rotating: Fast 2	All L.E.D's on
7	Rotating: Fast 2	Double Strike Flash 2Hz	All L.E.D's on
8	Double Strike Flash 2Hz	Alternate Side Flash 2Hz	All L.E.D's on
9	Alternate Side Flash 2Hz	Rotating: Fast 2	All L.E.D's on

