

ML15 PA Horn Loudspeaker

The ML15 15W PA loudspeaker features a robust, fire retardant, IP66 & IP67 housing; suitable for harsh environments with high ambient noise levels.

Features:

- Continuously rated.
- Large termination area.
- Stainless steel fixings.
- Ratchet adjustable stainless steel 'U' bracket for 360° positioning.
- Duplicate cable terminations (in & out for daisy-chain installations).
- Tropicalisation available on request.

Approvals:

- UKOOA/PFEER compliant alarm tones.
- GOST-R approved. Cert: POCC GB-JB05-B02228

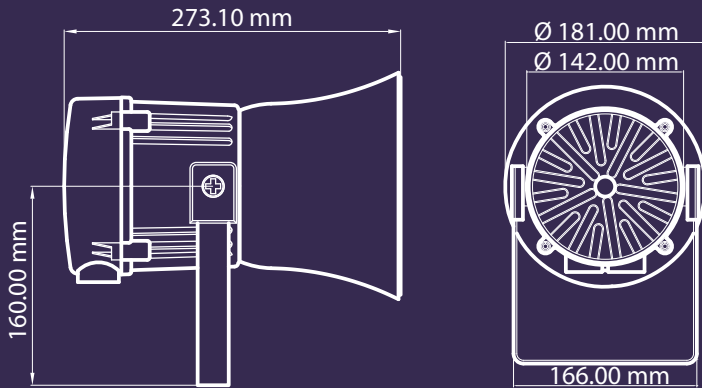
Part codes:

Version:	Part code:
100V Line	ML15W100VG
70V Line	ML15W70VG
16 Ohm	ML15W16RG
8 Ohm	ML15W8RG



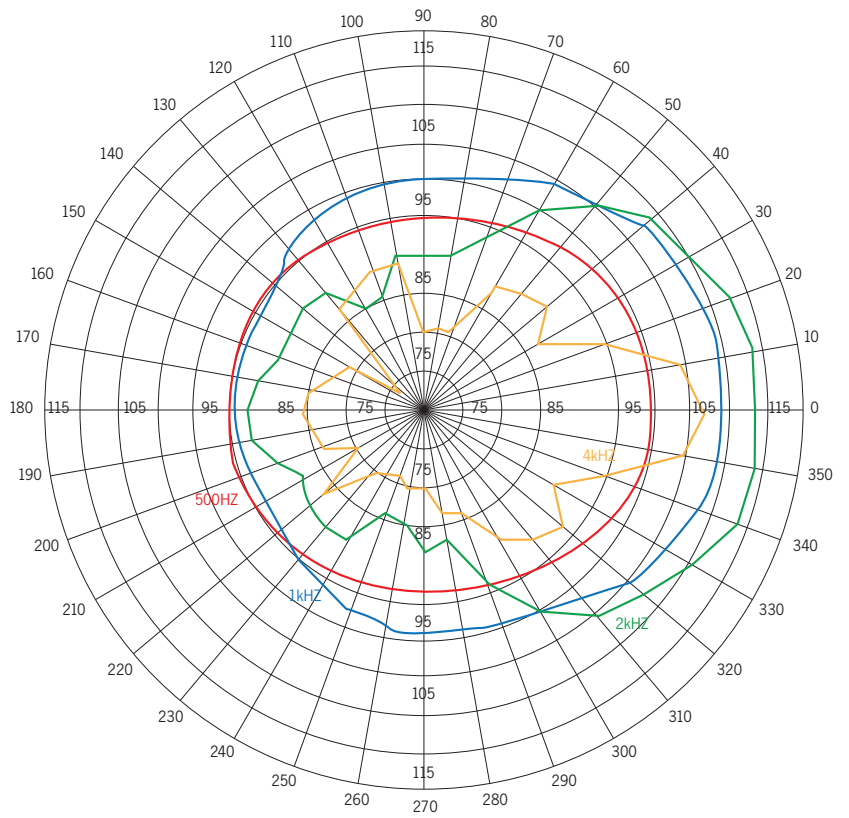
Also available as the MCL15-05 15W PA Loudspeaker with Xenon beacon.





Specification:

SPL:	108dB +/-3dB @ 1w @ 1m - Pink noise 118dB +/-3dB @ 15w (rated power) @ 1m
Rated power:	15 Watts RMS
70v line tapings:	15w / 7.5w / 3w / 1w (z=336.67 Ohms / 653.33 Ohms / 1.6kOhms / 4.9kOhms)
100v line tapings:	15w / 7.5w / 3w / 1w (z=666.87 Ohms / 1.34kOhms / 3.34kOhms / 10kOhms)
Low impedance:	8 Ohm or 16 Ohm
Dispersion:	120° @ 1kHz & 32° @ 4kHz
Frequency range:	400Hz to 8000 Hz
DC Line monitoring:	2.2uF Capacitor (Transformer version) 470uF Capacitor (Low impedance version)
Ingress protection:	IP66 & IP67 (Third party tested)
Housing material:	High impact UL94 V0 & 5VA FR ABS
Colour:	Grey (RAL7038)
Cable entries:	2 x M20 supplied with 1 blanking plug
Terminals:	0.5 to 4.0mm ² cables.
Operating temperature:	-25 to +55°C
Storage temperature:	-40 to +70°C
Relative humidity:	90% at 20°C.
Weight :	70/100V line: 2.60kg Low impedance: 2.20kg



*SPL data +/-3dB(A). Measured at optimum voltage.

