

1

SPECTRA B400FLF

Flashing Beacon
 E14 Filament bulb
 Three selectable frequencies on PCB
 IP Rating: IP65
 Temp: -25°C to +50°C
 Unit weight: 535g
 CE

Dimensions : Ø140 x 225mm
 1.5mm² terminals
 Cable entry: 1 x 5-7mm push through
 grommet
 2 x M20 cable entry (IP65)

X = Lens colour
 R = Red A = Amber
 B = Blue C = Clear
 G = Green Y = Yellow

Order code Voltage
 B400FLF024B/x 24V DC 1.14A

B400FLF115B/x 115V DC 340mA
 B400FLF230B/x 230V DC 118mA

Mountings
 B400RAB001 Right angle bracket
 B400TMA001 Tube mounting assembly

Bulb Type E14

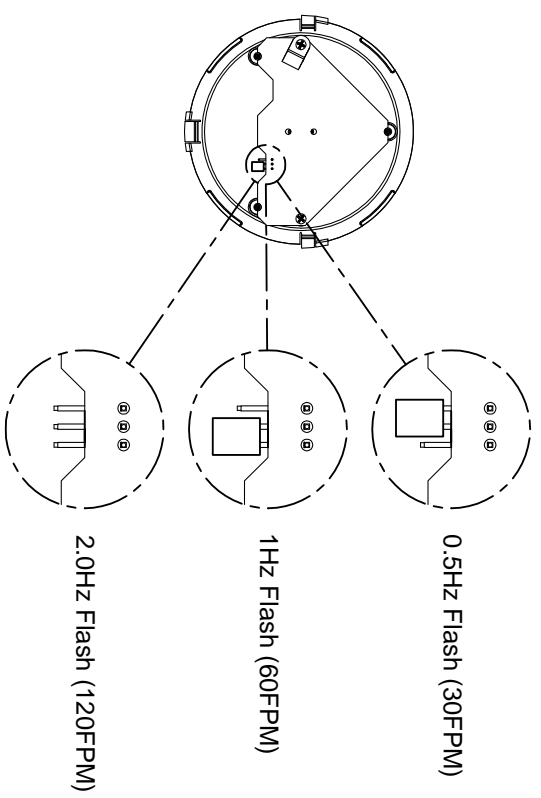
E2S Part No.	Version
BG351240E	12V 40W
BG352440E	24V 40W
B457513040E	115V 40W
B457523040E	230V 40W

Tel : +44 (0)20 8743 8880 Fax : +44 (0)20 8740 4200
 email : sales@e2s.com web : www.e2s.com



3

B400FLF



2

ATTENTION: Installation must be carried out by an electrician in compliance with the latest codes and regulations.

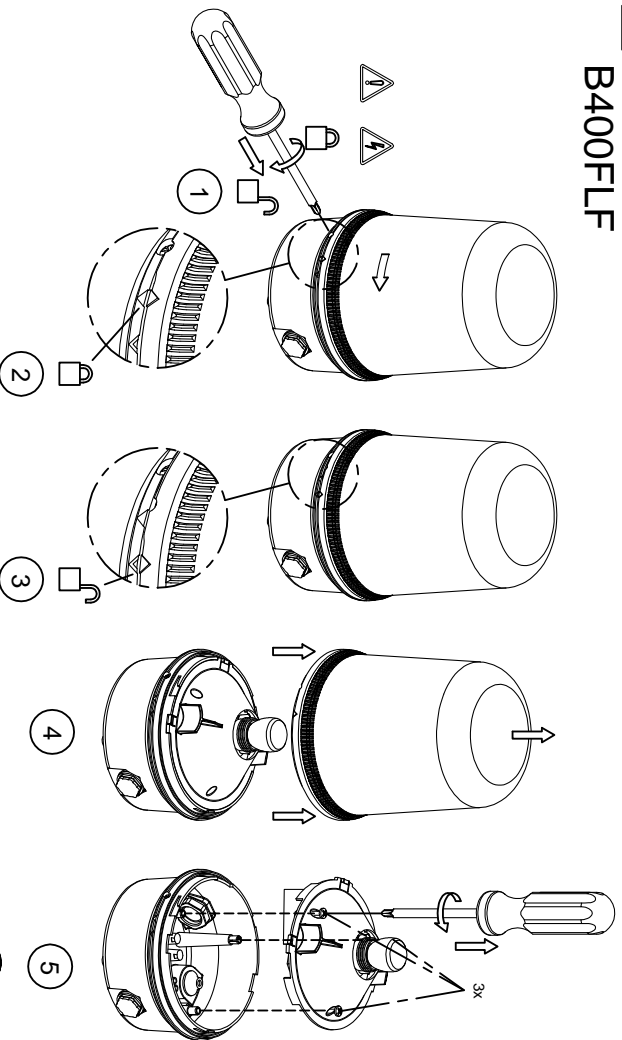
ATTENTION: Disconnect from power source before installation or service to prevent electric shock.

ATTENTION: Lens on unit will be hot allow to cool prior to removal.



A SPECIIRA

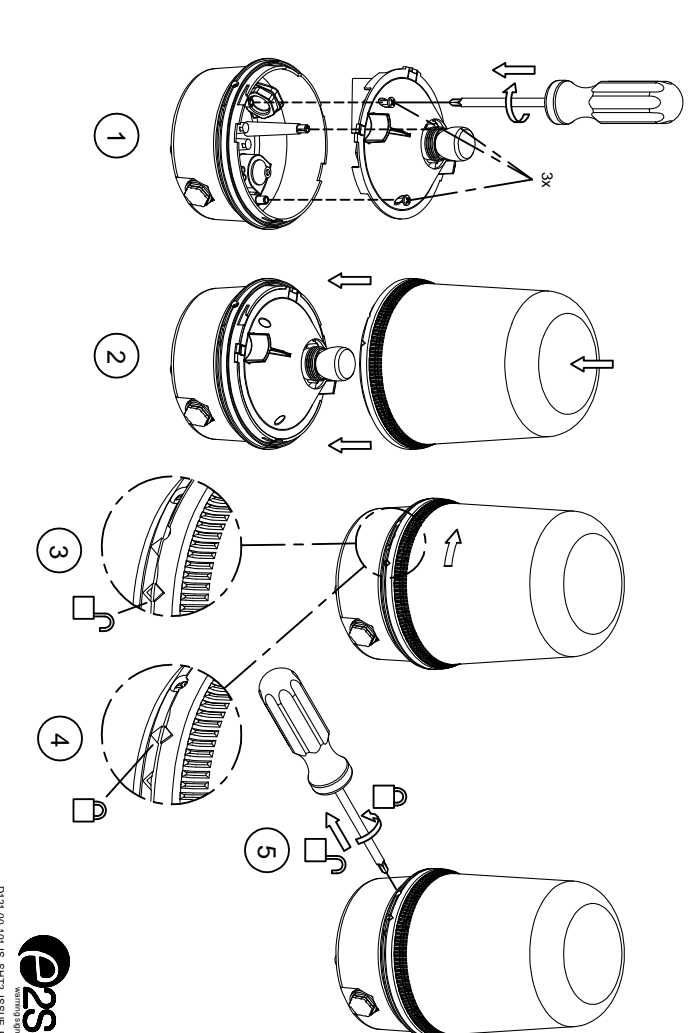
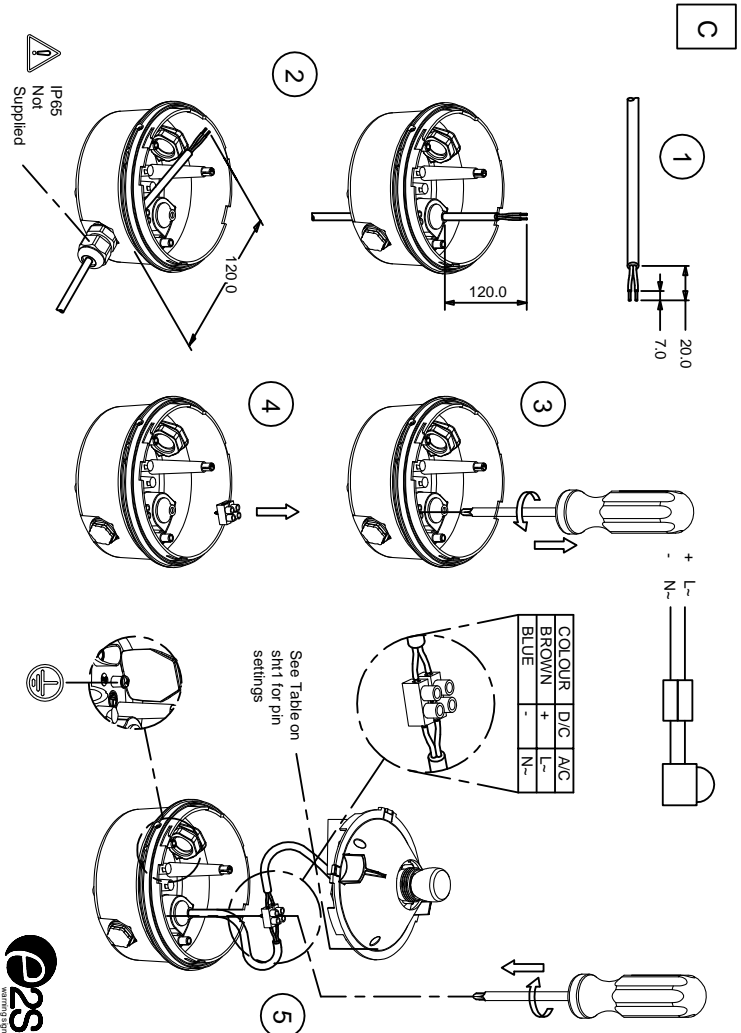
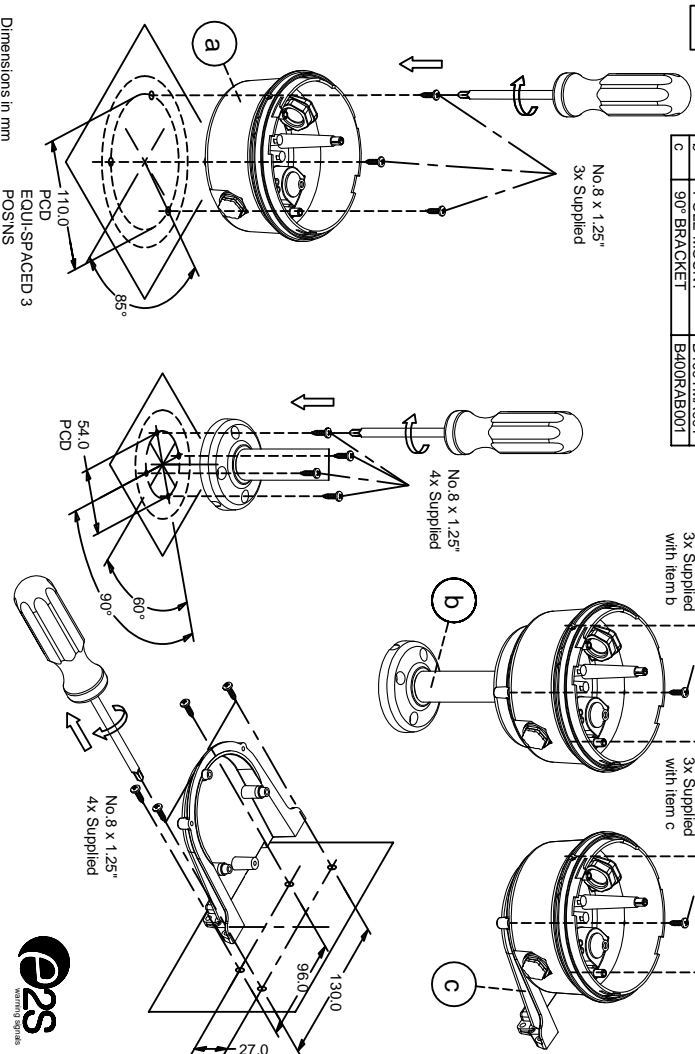
B400FLF



Tel : +44 (0)20 8743 8880 Fax : +44 (0)2 8740 4200
 email : sales@e2s.com web : www.e2s.com



MOUNTING OPTIONS	
a	STANDARD BASE
b	POLE MOUNT
c	90° BRACKET
	B400TMA001
	B400RAB001



Dimensions in mm

0124-00-1014S-SHTZ-ISSUE_B