

1

SPECTRA B400STR

Xenon Strobe Flashing Beacon

15J @ 1Hz

IP Rating: IP65

Temp: -25°C to +50°C

Unit weight: 696g DC 632g AC

CE

Dimensions : Ø140 x 225mm

1.5mm² terminals

Cable entry: 1 x 5-7mm push through

grommet

2 x M20 cable entry (IP65)

Order code Voltage

B400STR024B/x 24V DC/AC 870mA

B400STR048B/x 48V DC/AC 480mA

B400STR115B/x 115V AC 400mA

B400STR230B/x 230V AC 225mA

X = Lens colour

R = Red

B = Blue

G = Green

A = Amber

C = Clear

Y = Yellow

Mountings

B400RAB001 Right angle bracket

B400TMA001 Tube mounting assembly

Tel : +44(0)20 8743 8880 Fax : +44(0)20 8740 4200
Email : sales@e2s.com Web : www.e2s.com




2

 **ATTENTION:** Installation must be carried out by an electrician in compliance with the latest codes and regulations.

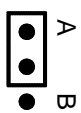
 **ATTENTION:** Disconnect from power source before installation or service to prevent electric shock.

 **ATTENTION:** On strobe beacons allow a minimum of 2 minutes for hazardous high voltage to discharge from unit.

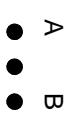
 **ATTENTION:** Lens on unit will be hot allow to cool prior to removal.

3

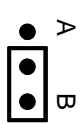
B400STR



Dual Flash 15J + 10J @ 0.75Hz



Single Flash 15J @ 1Hz

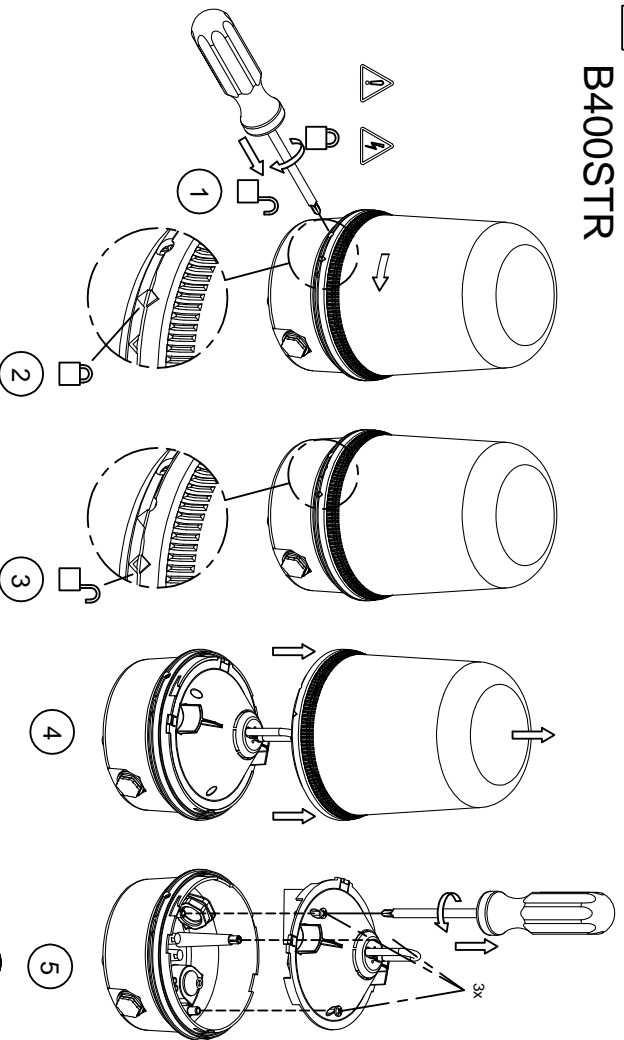


Triple Flash 15J + 10J + 10J @ 0.5Hz



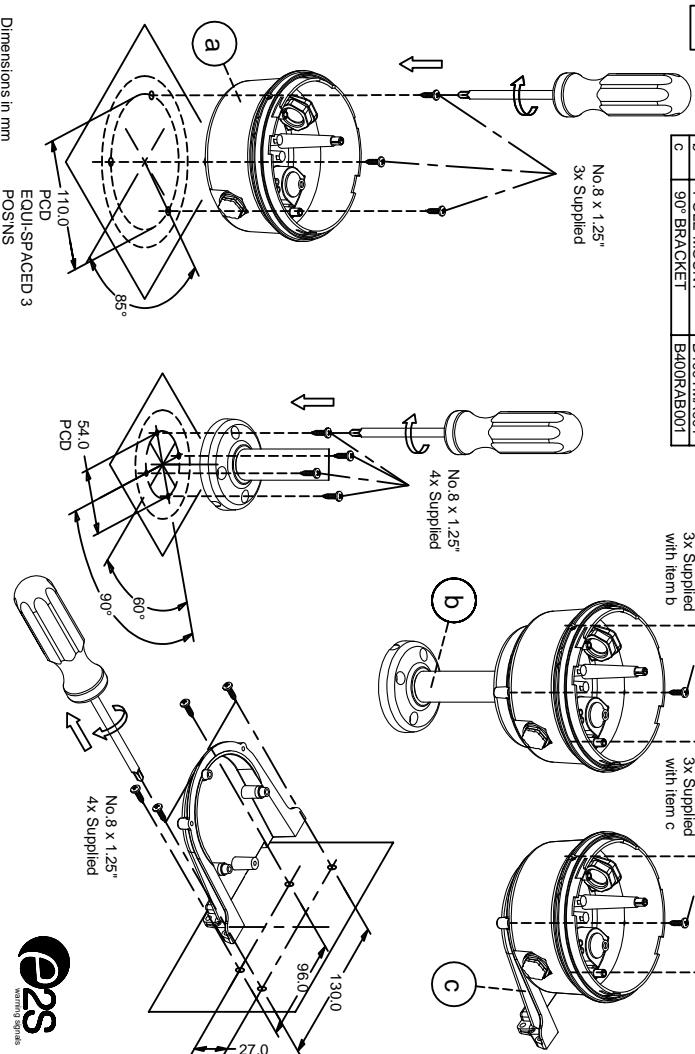
A SPECIIRA

B400STR



B

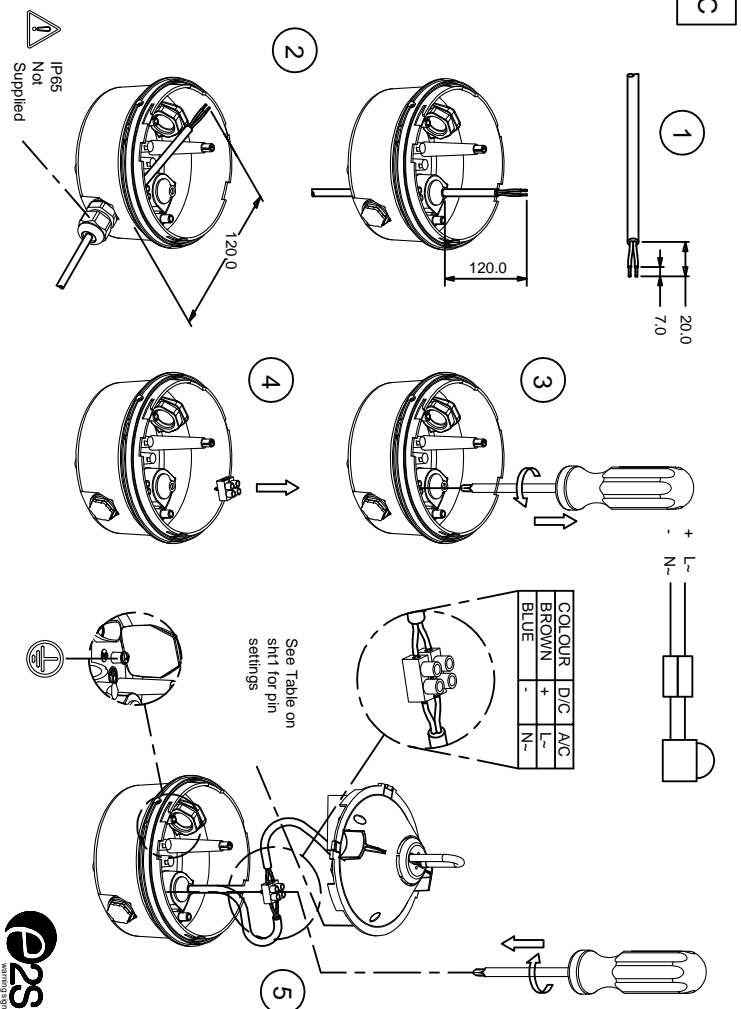
| MOUNTING OPTIONS | |
|------------------|---------------|
| a | STANDARD BASE |
| b | POLE MOUNT |
| c | 90° BRACKET |
| | B400TMA001 |
| | B400RAB001 |



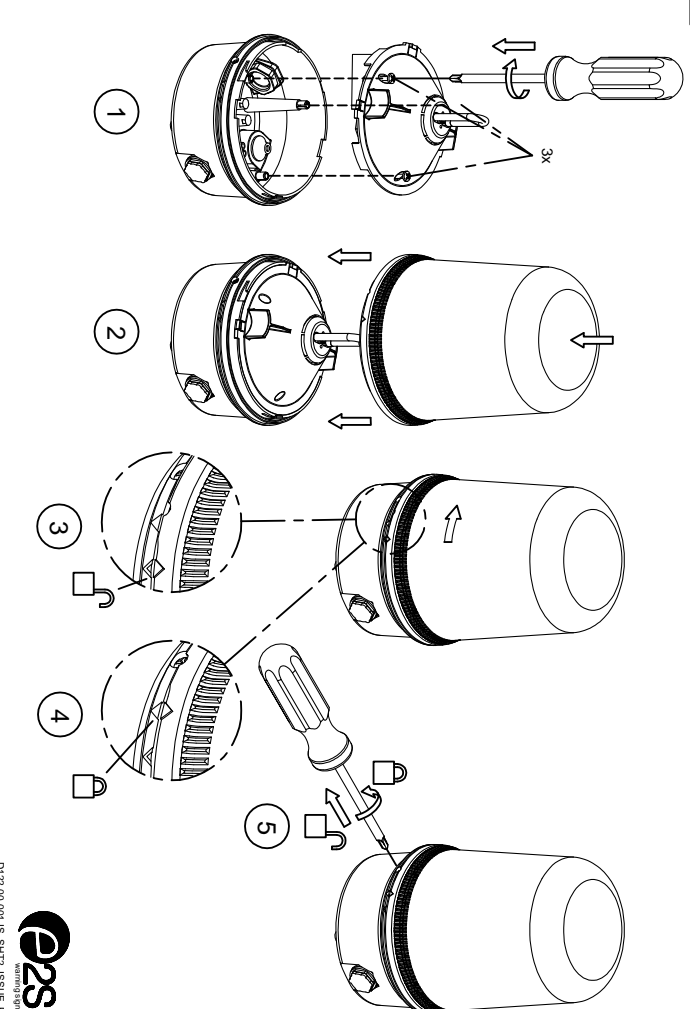
Tel: +44(0)20 8743 8880 Fax: +44(0)20 8740 4200
 email: sales@e2s.com web: www.e2s.com



C



D



Dimensions in mm

PCD
EQUI-SPACED 3
POSNS



D122-30-001-15-SHTZ-155UE-B

